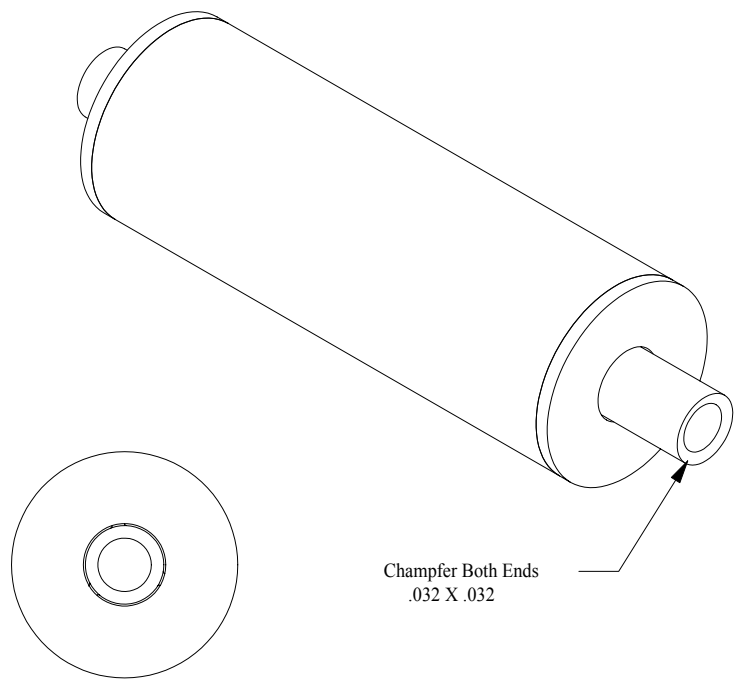
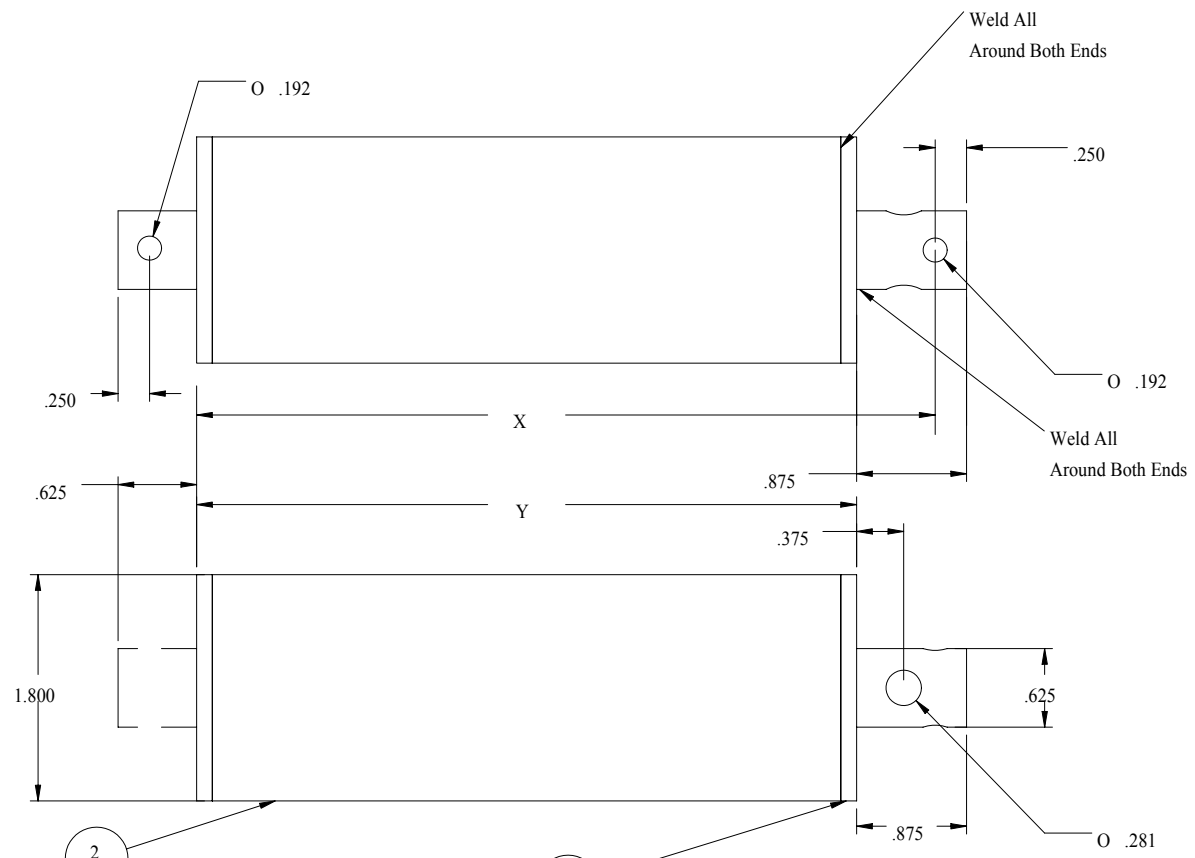


DRAWING NO.	REV.			
-------------	------	--	--	--

A	INITIAL RELEASE	KES	
B	CHANGED LENGTHS	KES	1/18/01
C	ADDED COUPLING ENDS	LSH	8/28/02



SEE TABLE ON SHEET 2
FOR X AND Y DIMENSIONS

UNLESS OTHERWISE SPECIFIED	
ALL DIMENSIONS ARE IN INCHES AND INCLUDE APPLIED FINISH. REMOVE ALL BURRS AND SHARP EDGES. CONCENTRICITY ON MACHINED DIAMETERS: .010 FIM.	
TOLERANCES	
FRACTIONAL	: 1/32"
DECIMAL .XX	: .020"
DECIMAL .XXX	: .010"
ANGULAR	: 1°
DECIMAL HOLE DIAMETERS	: .013 THRU .250 : .003"
	: .251 THRU 1.000 : .005"
Fueling Technologies, Inc.	

MATERIAL:	SCALE: 1" = 1"
FINISH:	DRAWN: K STEPHENS
	DATE: 7/17/00
	APPD:
	RELEASED:
	JOB NO.

The Jamesport Group	
TITLE: Float Assembly (130" TANK)	
CUSTOMER: FTI Tank Level Monitor	
DRAWING NO. 2500191	SHEET 1 of 2
B	REV. A

